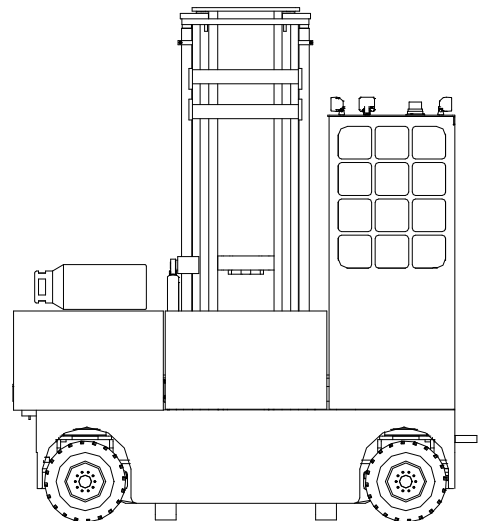
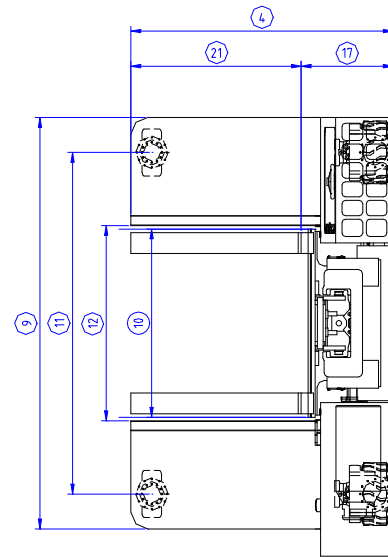
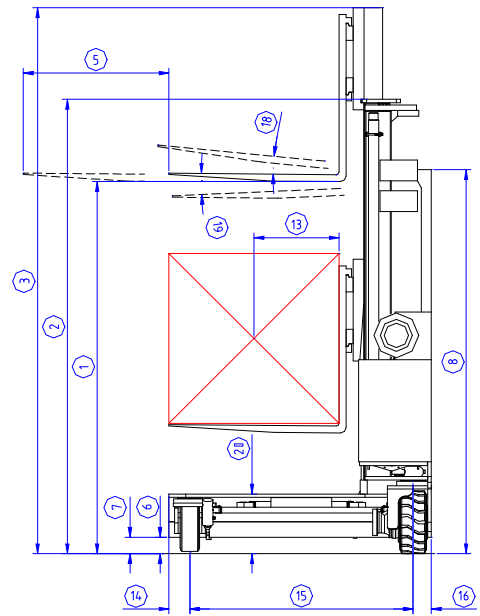


COMBILIFT - MODEL C3000GT-1220mm - SPECIFICATION

Ref.	Description	STANDARD
1 a	Lift Height	6300mm
1 b	Free Lift Height	2640mm
2	Height Mast Closed	3985mm
3	Max.(Mast raised)	7695mm
4	Overall Length	1880mm
5	Mast Travel	1270mm
6	Ground Clearance Under Mast	125mm
7	Ground Clearance to Centre of Wheelbase	125mm
8	Height Over Cab (without work-lights)	2900mm
9	Width Across Platforms	2946mm
10	Outside Spread of Fork Arms	1350mm
11	Wheelbase	2300mm
12	Frame Opening	1400mm
13	Load Centre Distance	600mm
14	Overhang Front	150mm
15	Track	1580mm
16	Overhang Back	150mm
17	Length From Face of Fork	660mm
18	Forward Fork Tilt	3°
19	Backward Fork Tilt	4½ °
20	Platform Height With Front Lowered	420mm
21	Platform Length	1220mm
A	Capacity	3000 kg
B	Unladen Weight	9000 kg
C	Maximum Ground Speed	12 Km/h
D	Gradability	10%
E	3 Ltr GM LPG	48.5 Kw
F	Electric's	12 Volt
G	Fork Section	50mm x 150mm x 1220mm
H	350/150-280 Front Tyre (Solid) x 2	OD 350mm/ Width 150mm
I	23 x 10 - 12 Rear Tyre (Super Elastic) x 2	OD 585mm/ Width 250mm
J	Standard Colour	Green and Grey

Features include

- Rubber Mounted Overhead Guard
- Load Sensing Steering
- Tilting Chassis +/- ½" At Front
- 4 Wheel Steering
- 2 Wheel Hydrostatic Drive
- Hydraulic Oil Cooler



COMBILIFT LTD.
Co. Monaghan, Ireland
Tel. +353 47 80500