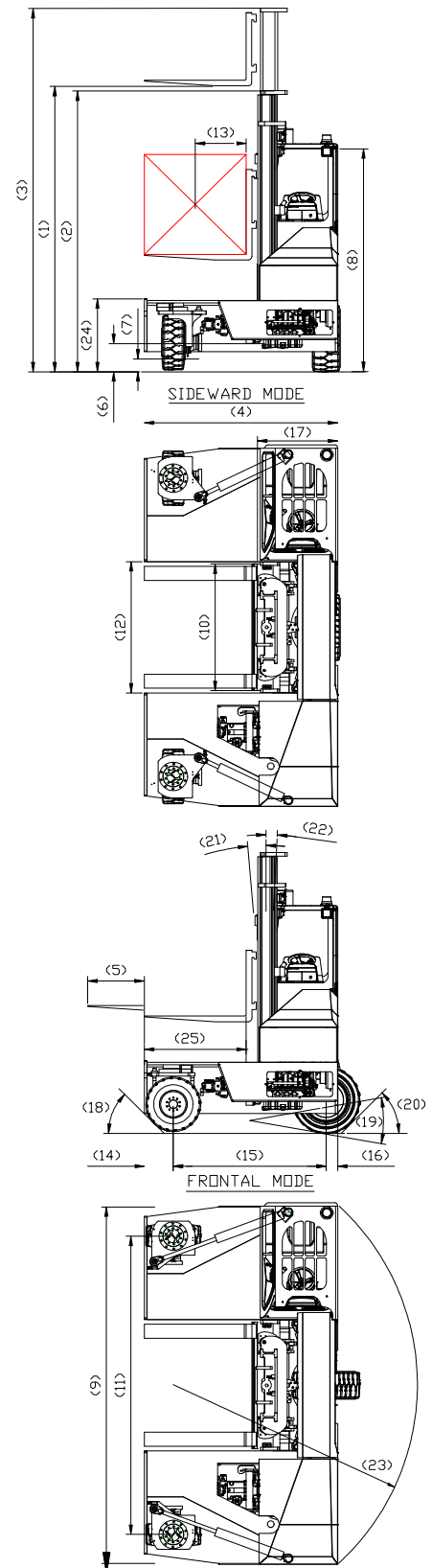


**COMBILIFT - MODEL C5000SL - SPECIFICATIONS -**

Ref.	MACHINE SPECIFICATIONS	STANDARD
1 a	Max. Lift Height	4040mm
1 b	Free Lift Height	0mm
2	Height Mast Closed	3000mm
3	Max. (Mast raised)	5200mm
4	Overall Length	2050mm / 2250mm
5	Mast Travel	1300mm / 1500mm
6	Ground Clearance Under Mast	300mm
7	Ground Clearance to Wheelbase Centre	185mm
8	Height Over Cab or of Overhead Guard	2570mm
9	Width	3900mm
10	Outside Spread of Fork Arms	1350mm
11	Track Front	3258mm
12	Frame Opening	1400mm
13	Load Centre Distance	600mm
14	Overhang Front	272mm
15	Wheel Base	1658mm/1858mm
16	Overhang Back	121mm
17	Length From Face of Fork	850mm
18	Approach Angle	45°
19	Ramp Angle	18°
20	Departure Angle	45°
21	Forward Tilt	3°
22	Backward Tilt	5°
23	Minimum Outside Radius	2590mm
24	Platform Height	750mm
25	Platform Length	1200mm / 1400mm
A	Capacity	4500Kg / 5000Kg
B	Unladen Weight	8500Kg / 8900Kg
C	Maximum Ground Speed	20 km/h
D	Gradability	15%
E	V3300-TE Kubota Diesel	62 kW
F	Electric's	12 Volt
G	Fork Section 50 x 200 x	1200mm / 1400mm
H	23 x 10 - 12 Front Tyre	OD 580mm/Width 240mm
I	28 x 12.5 - 15 Rear Tyre	OD 720mm/Width 295mm
J	Standard Colour	Green and Grey
K	Suspension Seat	KAB Model 116



**Features include**

- Rubber Mounted Half Open Cabin
- Load Sensing Steering
- 4-Way Lever Positioning of Wheels
- Multi-Direction Operation
- 3 Wheel Hydrostatic Drive
- Hydraulic Oil Cooler



**Combilift Ltd.**

Clontibret,  
Co. Monaghan.  
Ireland.

Tel. + 353 47 80500  
Fax. + 353 47 80501

[www.combilift.com](http://www.combilift.com)  
[info@combilift.com](mailto:info@combilift.com)