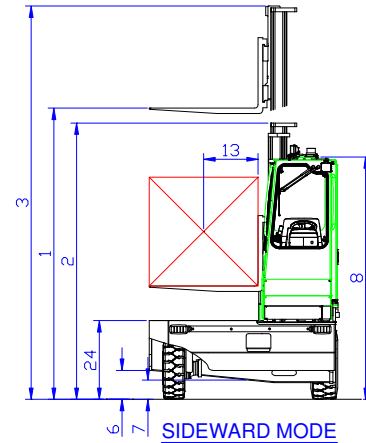


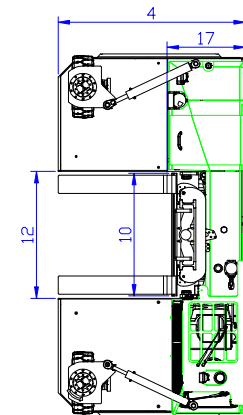
**COMBILIFT – MODEL (High)  
C4,500SL / C5,000SL / C6,000SL**

**-SPECIFICATION-**

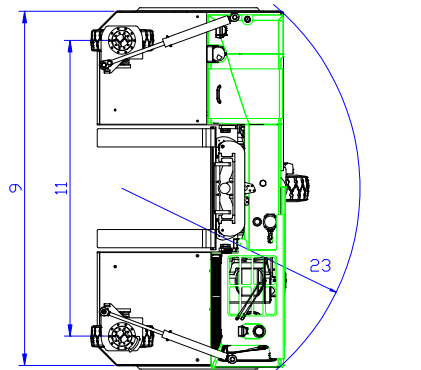
| Ref. | Description                              | Standard                  |
|------|--|---------------------------|
| 1a   | Max. Lift Height                         | 4040mm                    |
| 1b   | Freelift Height                          | 0mm                       |
| 2    | Height Mast Closed                       | 3035mm                    |
| 3    | Max. (Mast raised)                       | 5150mm                    |
| 4    | Overall Length                           | 2050mm / 2050mm / 2250mm  |
| 5    | Mast Travel                              | 1300mm / 1300mm / 1500mm  |
| 6    | Ground Clearance Under Mast              | 300mm                     |
| 7    | Ground Clearance to Centre of Wheelbase  | 210mm                     |
| 8    | Height Over Cab (Without work - lights)  | 2670mm                    |
| 9    | Width                                    | 3900mm                    |
| 10   | Outside Spread of Fork Arms              | 1350mm                    |
| 11   | Track Front                              | 3258mm                    |
| 12   | Frame Opening                            | 1400mm                    |
| 13   | Load Centre Distance                     | 600mm                     |
| 14   | Overhang Front                           | 271mm                     |
| 15   | Wheelbase                                | 1658mm / 1658mm / 1858mm  |
| 16   | Overhang Back                            | 121mm                     |
| 17   | Length From Face of Fork                 | 850mm / 850mm / 850mm     |
| 18   | Approach Angle                           | 45°                       |
| 19   | Ramp Angle                               | 18°                       |
| 20   | Departure Angle                          | 45°                       |
| 21   | Forward Tilt                             | 3°                        |
| 22   | Backward Tilt                            | 5°                        |
| 23   | Minimum Outside Radius                   | 2640mm / 2640mm / 2780mm  |
| 24   | Platform Height                          | 850mm                     |
| 25   | Platform Length                          | 1200mm / 1200mm / 1400mm  |
| A    | Capacity                                 | 4500kg / 5000kg / 6000kg  |
| B    | Unladen Weight                           | 9800kg / 9950kg / 10200kg |
| C    | Maximum Ground Speed                     | 20km/h                    |
| D    | Gradability                              | 15%                       |
| E    | Kubota V3300 - TE Diesel / 4.3ltr GM LPG | 62kW /72kW                |
| F    | Electrics                                | 12 Volt                   |
| G    | Fork Section 50mm x 200mm x              | 1200mm / 1200mm / 1400mm  |
| H    | 27 x 10 – 12 Front Tyre                  | OD 680mm / Width 255mm    |
| I    | 355 / 65 -- 15 Rear Tyre                 | OD 800mm / Width 295      |
| J    | Standard Colour                          | Green & Grey              |
| K    | Suspension Seat                          | KAB Model 116             |



**SIDEWARD MODE**



**FRONTAL MODE**



**Features include**

- Rubber Mounted Cabin
- Load Sensing Steering
- 4-way lever positioning of Wheels
- Multi-Direction Operation
- 3 Wheel Hydrostatic Drive
- Hydraulic Oil Cooler

Revision date: 01/01/2009



**COMBILIFT LTD.  
Co. Monaghan.  
Ireland  
Tel. +353 47 80500**