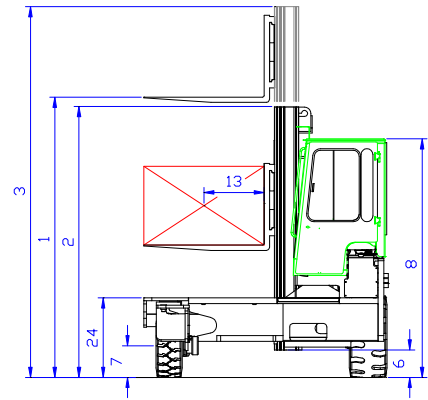
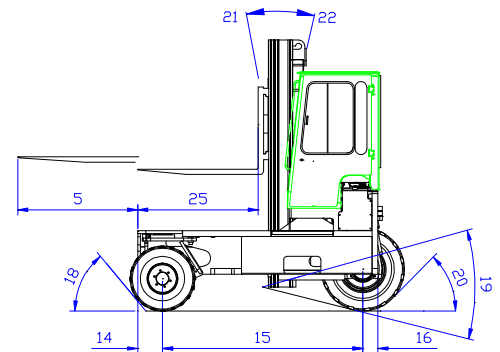
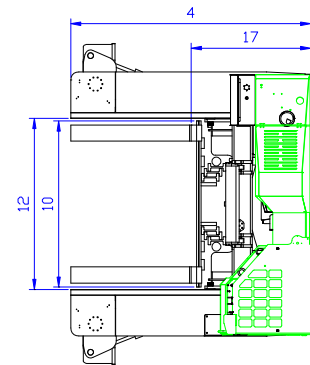


COMBILIFT – MODEL C14000 -SPECIFICATION-

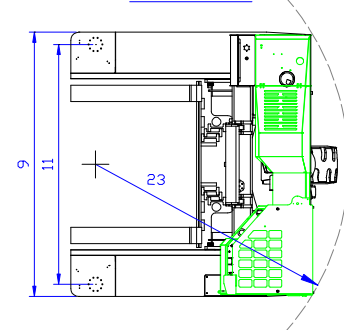
Ref.	Description	Standard
1a	Max. Lift Height	4100mm
1b	Freelift Height	0mm
2	Height Mast Closed	3450mm
3	Max. (Mast raised)	5800mm
4	Overall Length	2990mm
5	Mast Travel	1650mm
6	Ground Clearance Under Mast	305mm
7	Ground Clearance to Centre of Wheelbase	330mm
8	Height Over Cab (Without work - lights)	2950mm
9	Width	3260mm
10	Outside Spread of Fork Arms	2000mm
11	Track Front	2940mm
12	Frame Opening	2108mm
13	Load Centre Distance	600mm
14	Overhang Front	467mm
15	Wheelbase	2475mm
16	Overhang Back	208mm
17	Length From Face of Fork	1500mm
18	Approach Angle	45°
19	Ramp Angle	29°
20	Departure Angle	45°
21	Forward Tilt	4°
22	Backward Tilt	8°
23	Minimum Outside Radius	3160mm
24	Platform Height	980mm
25	Platform Length	1490mm
A	Capacity	14000kg
B	Unladen Weight	15000kg
C	Maximum Ground Speed	19km/h
D	Gradability	15%
E	Kubota V3800 - TE Diesel / 4.3ltr GM LPG	72kW /72kW
F	Electrics	12 Volt
G	Fork Section	65mm x 250mm 1490mm
H	400 / 55 – 15 Front Tyre	OD 825mm / Width 326mm
I	465 / 55 - 20 Rear Tyre	OD 1016mm / Width 457mm
J	Standard Colour	Green & Grey
K	Suspension Seat	KAB Model 211



SIDEWARD MODE



FRONTAL MODE



Features include

- Rubber Mounted Cabin
- Load Sensing Steering
- 4-way lever positioning of Wheels
- Multi-Direction Operation
- 3 Wheel Hydrostatic Drive
- Hydraulic Oil Cooler

Revision date: 01/01/2009



COMBILIFT LTD.
Co. Monaghan.
Ireland
Tel. +353 47 80500