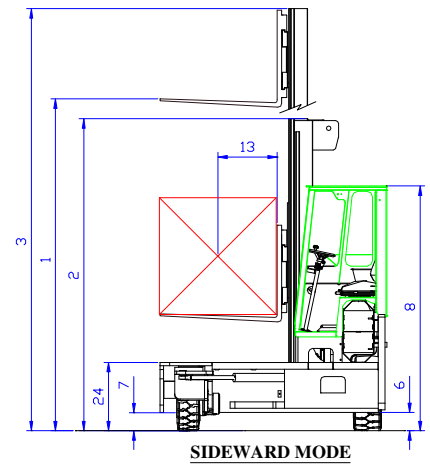
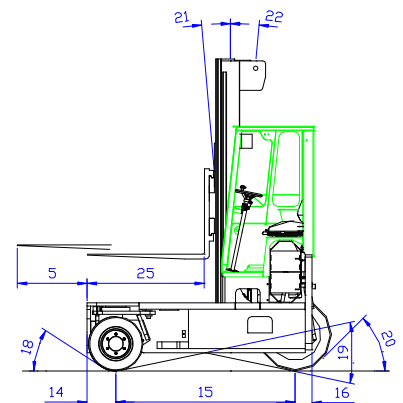
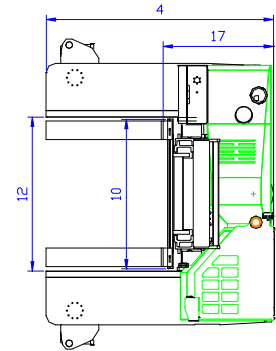


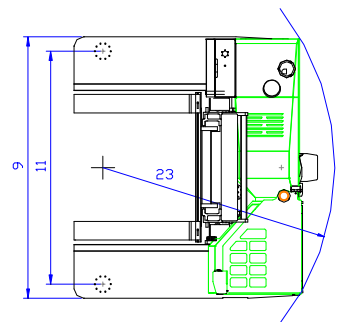
| Ref. | Description                              | Standard               |
|------|--|------------------------|
| 1a   | Max. Lift Height                         | 4536mm                 |
| 1b   | Freelift Height                          | 0mm                    |
| 2    | Height Mast Closed                       | 3430mm                 |
| 3    | Max. (Mast raised)                       | 5936mm                 |
| 4    | Overall Length                           | 2670mm                 |
| 5    | Mast Travel                              | 1530mm                 |
| 6    | Ground Clearance Under Mast              | 290mm                  |
| 7    | Ground Clearance to Centre of Wheelbase  | 165mm                  |
| 8    | Height Over Cab (Without work - lights)  | 2590mm                 |
| 9    | Width                                    | 2800mm                 |
| 10   | Outside Spread of Fork Arms              | 1600mm                 |
| 11   | Track Front                              | 2500mm                 |
| 12   | Frame Opening                            | 1650mm                 |
| 13   | Load Centre Distance                     | 600mm                  |
| 14   | Overhang Front                           | 307mm                  |
| 15   | Wheelbase                                | 2155mm                 |
| 16   | Overhang Back                            | 208mm                  |
| 17   | Length From Face of Fork                 | 1180mm                 |
| 18   | Approach Angle                           | 45°                    |
| 19   | Ramp Angle                               | 29°                    |
| 20   | Departure Angle                          | 45°                    |
| 21   | Forward Tilt                             | 3°                     |
| 22   | Backward Tilt                            | 5°                     |
| 23   | Minimum Outside Radius                   | 2765mm                 |
| 24   | Platform Height                          | 750mm                  |
| 25   | Platform Length                          | 1490mm                 |
| A    | Capacity                                 | 8000kg                 |
| B    | Unladen Weight                           | 10950kg                |
| C    | Maximum Ground Speed                     | 15km/h                 |
| D    | Gradability                              | 15%                    |
| E    | Kubota V3600 - TE Diesel / 4.3ltr GM LPG | 62kW /72kW             |
| F    | Electrics                                | 12 Volt                |
| G    | Fork Section                             | 50mm x 200mm 1490mm    |
| H    | 23 x 10 - 12 Front Tyre                  | OD 580mm / Width 240mm |
| I    | 400 / 60 - 15 Rear Tyre                  | OD 825mm / Width 326mm |
| J    | Standard Colour                          | Green & Grey           |
| K    | Suspension Seat                          | KAB Model 211          |



SIDEWARD MODE



FRONTAL MODE



**Features include**

- Rubber Mounted Cabin
- Load Sensing Steering
- 4-way lever positioning of Wheels
- Multi-Direction Operation
- 3 Wheel Hydrostatic Drive
- Hydraulic Oil Cooler

