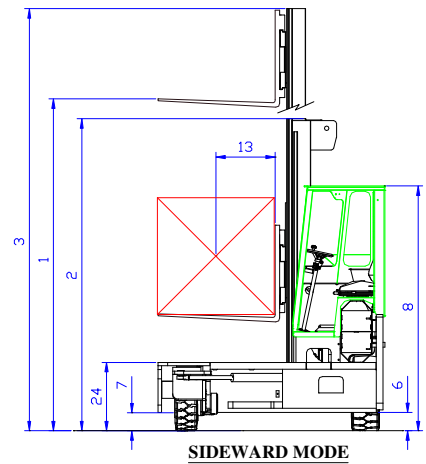
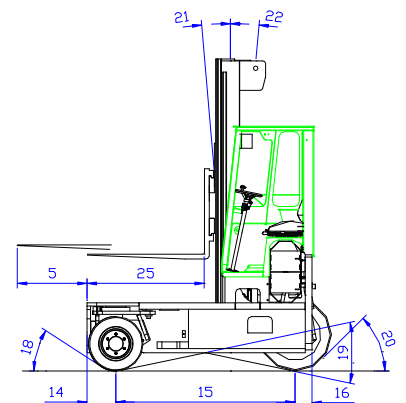
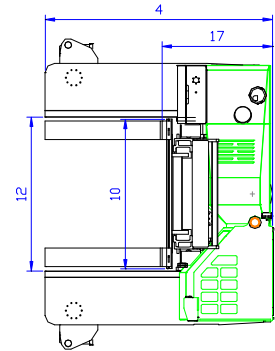


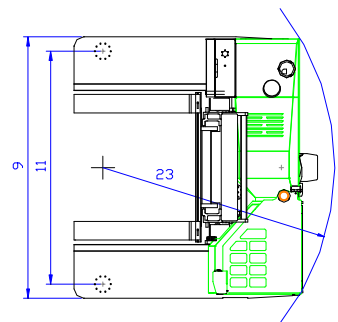
Ref.	Description	Standard
1a	Max. Lift Height	4536mm
1b	Freelift Height	0mm
2	Height Mast Closed	3430mm
3	Max. (Mast raised)	5936mm
4	Overall Length	2430mm
5	Mast Travel	1290mm
6	Ground Clearance Under Mast	290mm
7	Ground Clearance to Centre of Wheelbase	165mm
8	Height Over Cab (Without work - lights)	2590mm
9	Width	2800mm
10	Outside Spread of Fork Arms	1600mm
11	Track Front	2500mm
12	Frame Opening	1650mm
13	Load Centre Distance	600mm
14	Overhang Front	307mm
15	Wheelbase	1915mm
16	Overhang Back	208mm
17	Length From Face of Fork	1180mm
18	Approach Angle	45°
19	Ramp Angle	29°
20	Departure Angle	45°
21	Forward Tilt	3°
22	Backward Tilt	5°
23	Minimum Outside Radius	2540mm
24	Platform Height	750mm
25	Platform Length	1250mm
A	Capacity	6000kg
B	Unladen Weight	10430kg
C	Maximum Ground Speed	15km/h
D	Gradability	15%
E	Kubota V3600 - TE Diesel / 4.3ltr GM LPG	62kW /72kW
F	Electrics	12 Volt
G	Fork Section	50mm x 200mm 1250mm
H	23 x 10 - 12 Front Tyre	OD 580mm / Width 240mm
I	400 / 60 - 15 Rear Tyre	OD 825mm / Width 326mm
J	Standard Colour	Green & Grey
K	Suspension Seat	KAB Model 211



SIDEWARD MODE



FRONTAL MODE



Features include

- Rubber Mounted Cabin
- Load Sensing Steering
- 4-way lever positioning of Wheels
- Multi-Direction Operation
- 3 Wheel Hydrostatic Drive
- Hydraulic Oil Cooler

