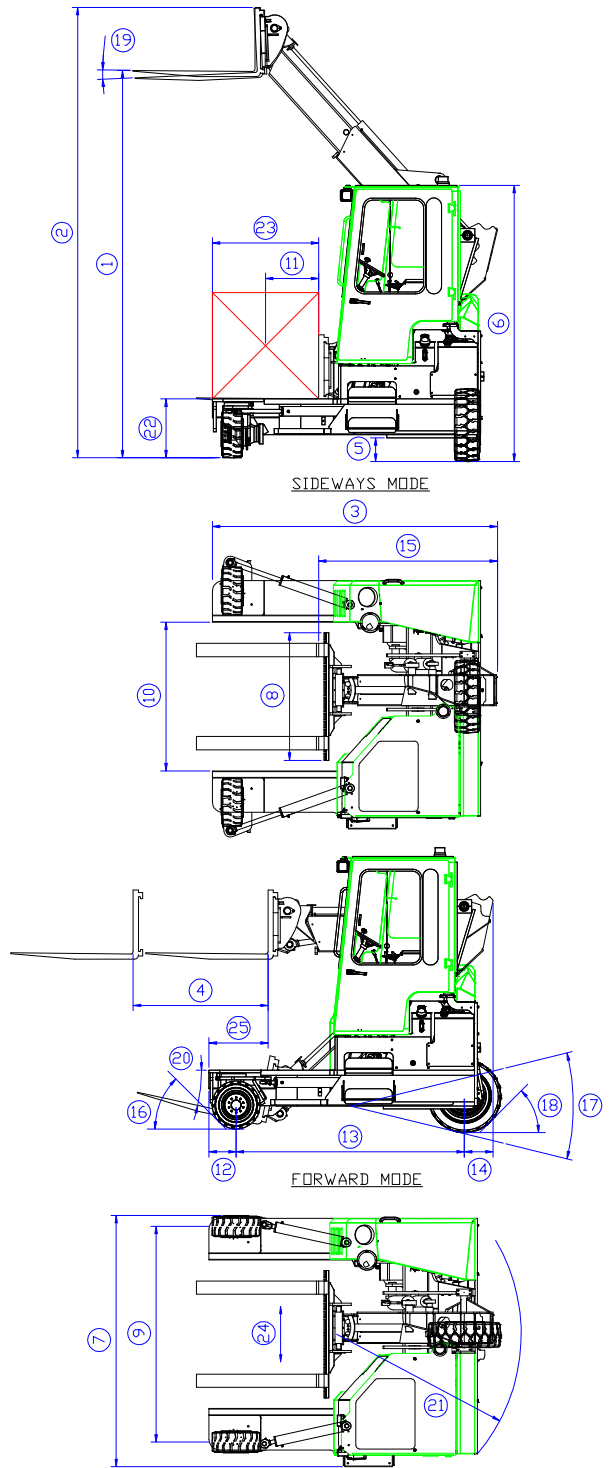


COMBILIFT - MODEL C3000 TeleCombi - SPECIFICATION -

Ref.	Description	STANDARD
1 a	Max. Lift Height	3765mm
2	Max. (Boom raised & extended)	4415mm
3	Overall Length (Excluding fork)	2680mm
4	Reach (Boom Horizontal)	2450mm
5	Ground Clearance	270mm
6	Height Over Cab (without work-lights)	2625mm
7	Width	2360mm
8	Outside Spread of Fork Arms	1200mm
9	Track Front	2005mm
10	Frame Opening	1400mm
11	Load Centre Distance	500mm
12	Overhang Front	305mm
13	Wheel Base	2220mm
14	Overhang Back	155mm
15	Length From Face of Fork	1680mm
16	Approach Angle	45°
17	Ramp Angle	29°
18	Departure Angle	45°
19	Forward Tilt	3°
20	Backward Tilt	12°
21	Minimum Outside Radius	2670mm
22	Platform Height	680mm
23	Platform Length	1000mm
24	Side-Shift	100mm
25	Platform Length (Boom Horizontal)	555mm
A	Capacity @ Load Centre	3000kg
B	Unladen Weight	6300kg
C	Max. Ground Speed	15km/h
D	Gradability	15%
E	Kubota V2403-T Diesel / 3Ltr. GM LPG	44kW / 48kW
F	Electric's	12 Volt
G	Fork Section 50mm x 125mm x	800mm
H	23 x 10 - 12 Front Tyre	OD 580mm / W 240mm
I	28 x 12.5 - 15 Rear Tyre	OD 720mm / W 295mm
J	Standard Colour	Green and Grey
K	Suspension Seat	KAB Model 116



Features include

- Hydraulic Mounted Cabin
- Load Sensing Steering
- 4-way lever positioning of Wheels
- Multi-Direction Operation
- 3 Wheel Hydrostatic Drive
- Hydraulic Oil Cooler

Revision date: 01/01/2008



COMBILIFT LTD.
Co. Monaghan.
Ireland
Tel. +353 47 80500