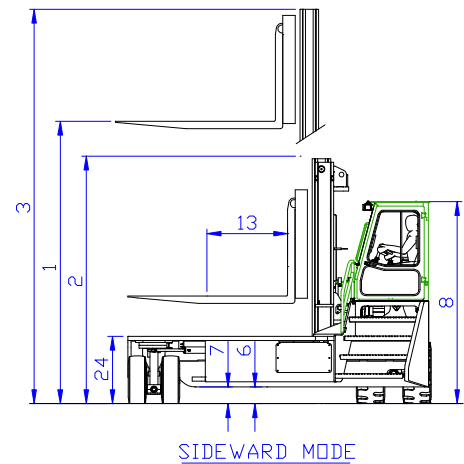
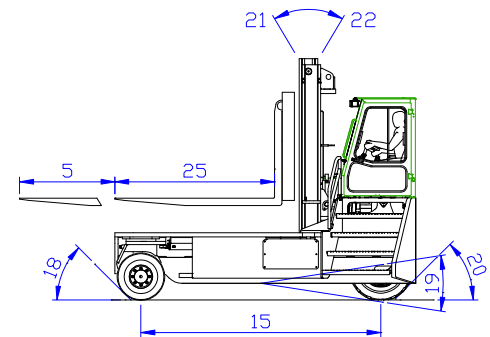
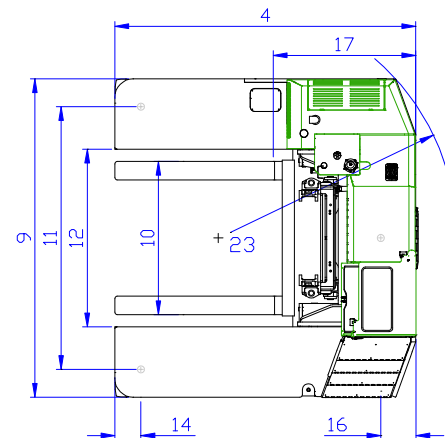


COMBILIFT – MODEL C20,000 - SPECIFICATION

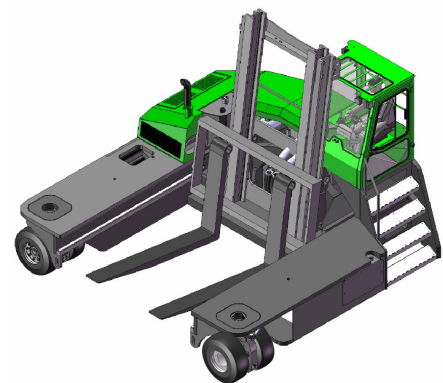
Ref.	Description	STANDARD
1 a	Max. Lift Height	4120mm
1 b	Free Lift Height	0mm
2	Height Mast Closed	4000mm
3	Max.(Mast raised)	6000mm
4	Overall Length	4640mm
5	Mast Travel	2440mm
6	Ground Clearance Under Mast	275mm
7	Ground Clearance to Centre of Wheelbase	200mm
8	Height Over Cab (without work-lights)	3300mm
9	Width	5200mm
10	Outside Spread of Fork Arms	2400mm
11	Track Front	4290mm
12	Frame Opening	2900mm
13	Load Centre Distance	1200mm
14	Overhang Front	425mm
15	Wheel Base	3645mm
16	Overhang Back	574mm
17	Length From Face of Fork	2300mm
18	Approach Angle	45°
19	Ramp Angle	17°
20	Departure Angle	45°
21	Forward Tilt	4°
22	Backward Tilt	8°
23	Minimum Outside Radius	4840mm
24	Platform Height	1100mm
25	Platform Length	2440mm
A	Capacity	20,000 kg
B	Unladen Weight	34,000 kg
C	Maximum Ground Speed	19 Km/h
D	Gradeability	10%
E	John Deere Diesel 6068HF	127 kW (170HP)
F	Electric's	12 Volt
G	Fork Section	120 x 200 x 2440mm
H	465/55-20 Rear Tyre (Super Elastic) x 2	OD 1016mm / Width 457mm
I	840/350-559 Front Tyre (Solid Rubber) x 4	OD 840mm / Width 350mm
J	Standard Colour	Green and Grey
K	Suspension Seat	KAB Model 116



SIDEWARD MODE



FORWARD MODE



Features include

- Hydraulic Mounted Cabin
- Load Sensing Steering
- 4-way lever positioning of Wheels
- +/- 150mm Integrated Side-shift
- Multi-Direction Operation
- 4 Wheel Hydrostatic Drive
- Hydraulic Oil Cooler



COMBILIFT LTD.
Co. Monaghan, Ireland
Tel. 00 353 47 80500