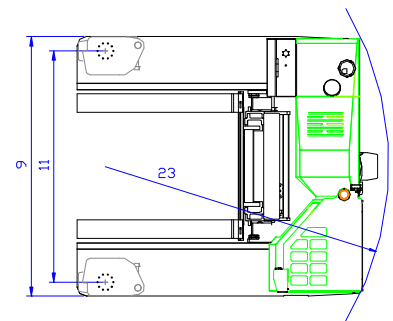
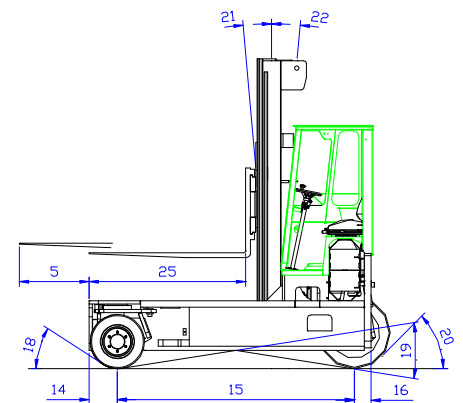
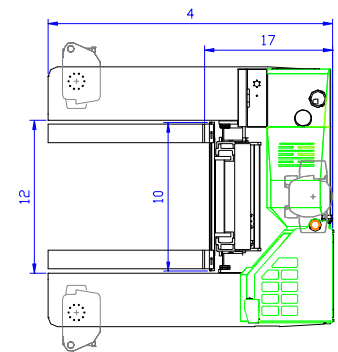
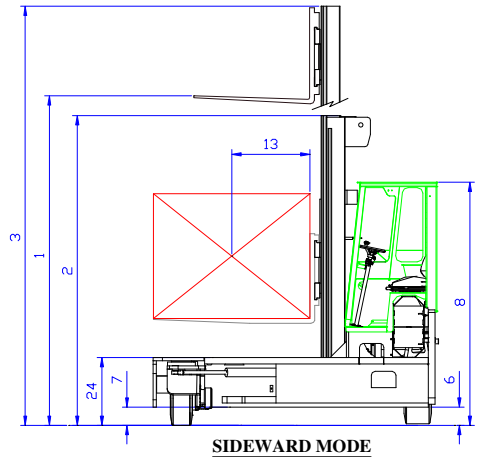


COMBILIFT – MODEL C10000 –SPECIFICATION-

Ref.	Description	Standard
1a	Max. Lift Height	4100mm
1b	Freelift Height	0mm
2	Height Mast Closed	3450mm
3	Max. (Mast raised)	5800mm
4	Overall Length	3070mm
5	Mast Travel	1730mm
6	Ground Clearance Under Mast	290mm
7	Ground Clearance to Centre of Wheelbase	165mm
8	Height Over Cab (Without work - lights)	2590mm
9	Width	2800mm
10	Outside Spread of Fork Arms	1600mm
11	Track Front	2500mm
12	Frame Opening	1650mm
13	Load Centre Distance	600mm
14	Overhang Front	307mm
15	Wheelbase	2555mm
16	Overhang Back	208mm
17	Length From Face of Fork	1380mm
18	Approach Angle	45°
19	Ramp Angle	29°
20	Departure Angle	45°
21	Forward Tilt	3°
22	Backward Tilt	5°
23	Minimum Outside Radius	3100mm
24	Platform Height	770mm
25	Platform Length	1690mm
A	Capacity	10000kg
B	Unladen Weight	13400kg
C	Maximum Ground Speed	14km/h
D	Gradability	15%
E	Kubota V3600 - TE Diesel / 4.3ltr GM LPG	62kW /72kW
F	Electrics	12 Volt
G	Fork Section	65mm x 200mm 1690mm
H	22 x 12 - 16 Front Tyre	OD 560mm / Width 305mm
I	840 / 350 - 559 Rear Tyre	OD 840mm / Width 350mm
J	Standard Colour	Green & Grey
K	Suspension Seat	KAB Model 211



Features include

- Rubber Mounted Cabin
- Load Sensing Steering
- 4-way lever positioning of Wheels
- Multi-Direction Operation
- 3 Wheel Hydrostatic Drive
- Hydraulic Oil Cooler

Revision date: 01/01/2009



COMBILIFT LTD.
Co. Monaghan.
Ireland
Tel. +353 47 80500